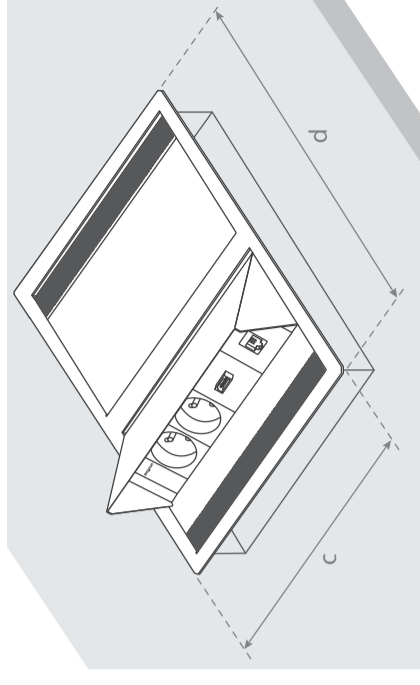
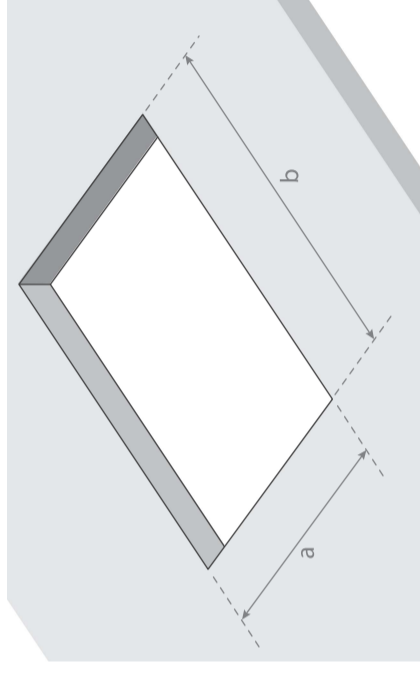


magnet-BoxDuo consists of two 4-module chassises.

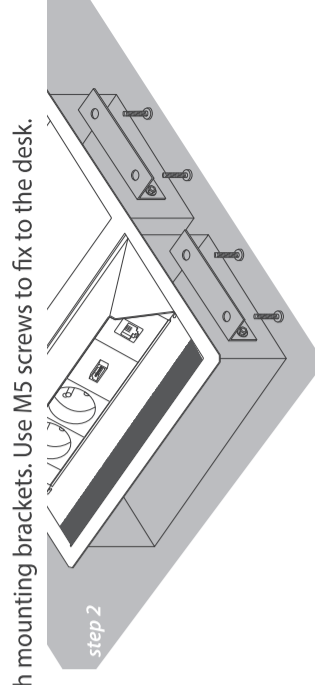
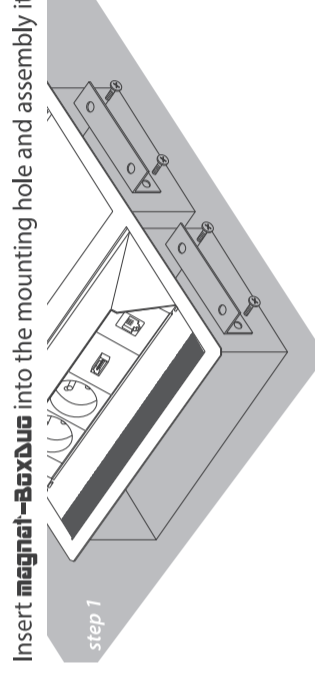
It's a great solution for bigger tables and conference rooms, giving access to the power sockets and multimedia ports from both sides. Movable covers with brush strips enable ergonomic use in open and close position.



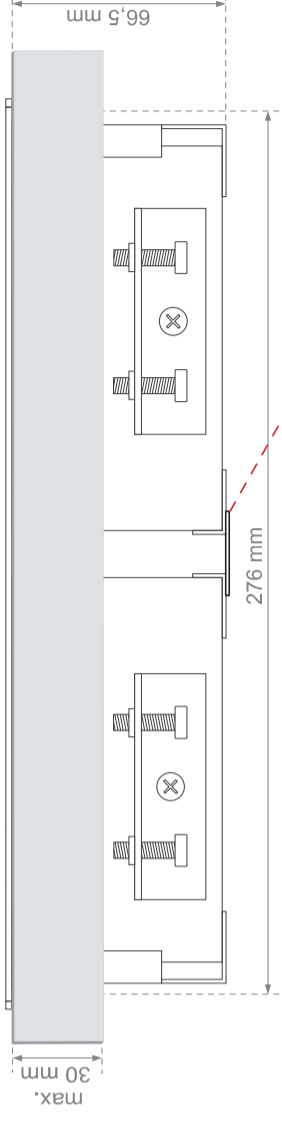
	Mounting hole dimensions	Chassises dimensions
8-module	length x width [a x b] 243 mm x 276 mm	length x width [c x d] 259 mm x 284 mm
		depth 66,5 mm

* +1mm / -0mm tolerance for all dimensions

Note: In case of configurations with two circuits or with UK power sockets number of available modules is lower.

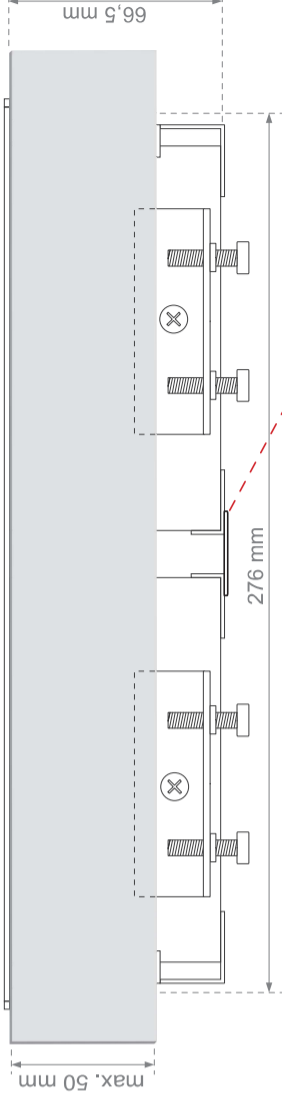


Assembling to the table top / desk of up to 30 mm thickness.



Please remove this part before assembling.

Assembling to the table top / desk of up to 50 mm thickness.



Please remove this part before assembling.

