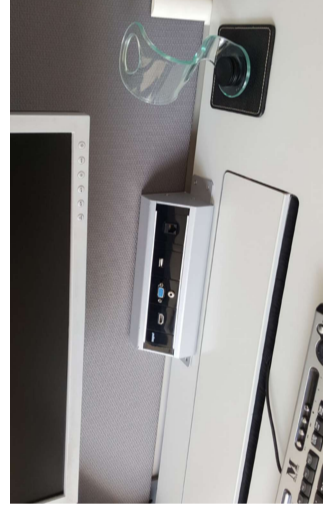


Mediaport mounted on the edge of the table top / desk. Simplicity of its assembling and disassembling ensures optimum organization of every workplace. Due to the modular design and flexibility regarding number of modules (from 2 to 6 in standard versions) **magnet-stick H** gives the opportunity to meet the individual client's requirements.

It's available in 3 mounting versions:

- **HA** - used in arrangements with dividing walls, housing is flushed with edge of the table top and cables fall under the desk,
- **HB** - housing projects beyond the outline of the table top and cables fall perpendicularly,
- **HT** - used in arrangements with dividing walls overlapping on the desks.



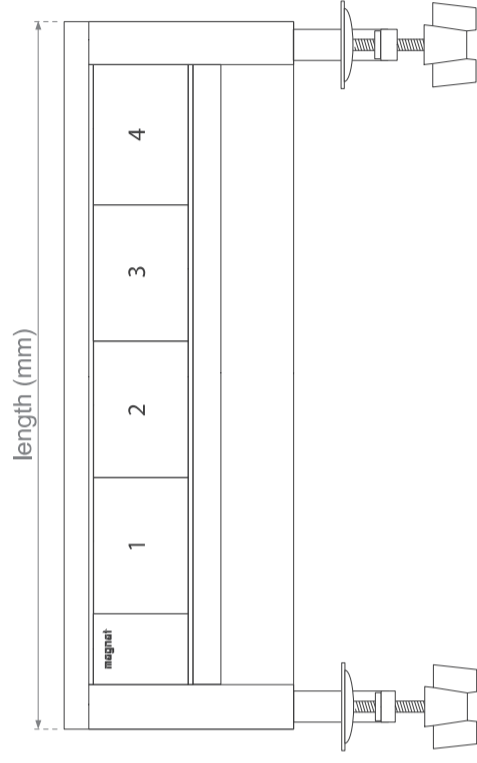
2-module version



4-module version



6-module version



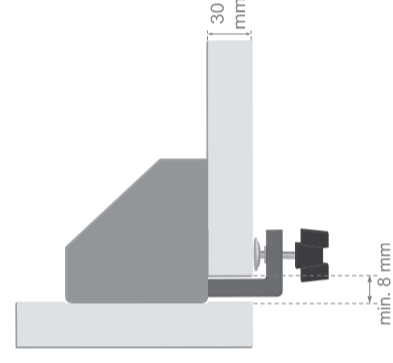
### Dimensions of H version (length of housing)

version	2-module	3-module	4-module	5-module	6-module	7-module and more
length	147 mm	191 mm	234 mm	277 mm	320 mm	62 + (43 * number of modules)

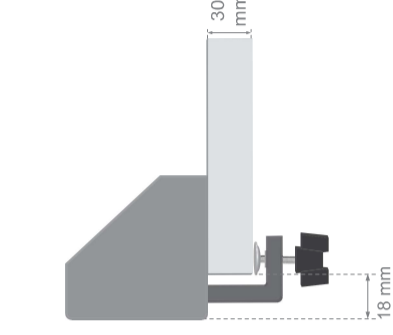
\* Specified dimensions don't concern configurations with UK power sockets nor the ones without multimedia ports / USB chargers. This kind of dimensions are available on request.

### Mounting versions

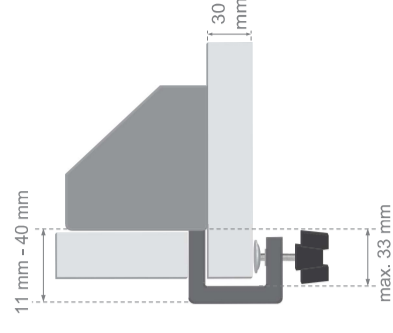
#### magnet-stick HA



#### magnet-stick HB

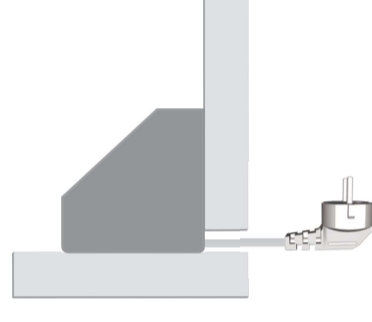


#### magnet-stick HT

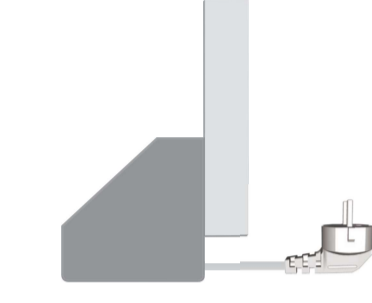


### Cable routing versions

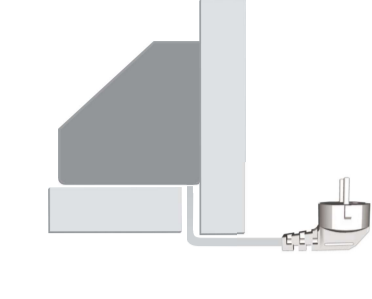
#### magnet-stick HA



#### magnet-stick HB



#### magnet-stick HT



In case of the table top thickness bigger than 30mm, there's a possibility of using custom-made mounting brackets.



WHITE  
(RAL9003)



BLACK  
(RAL9005)



NATURAL ANODIZED  
ALUMINIUM