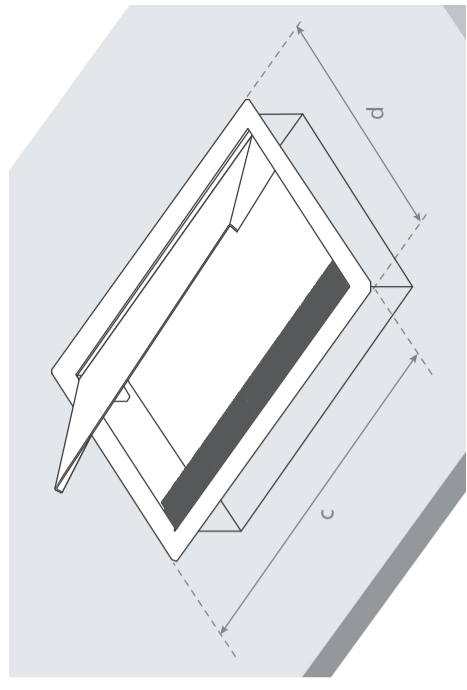
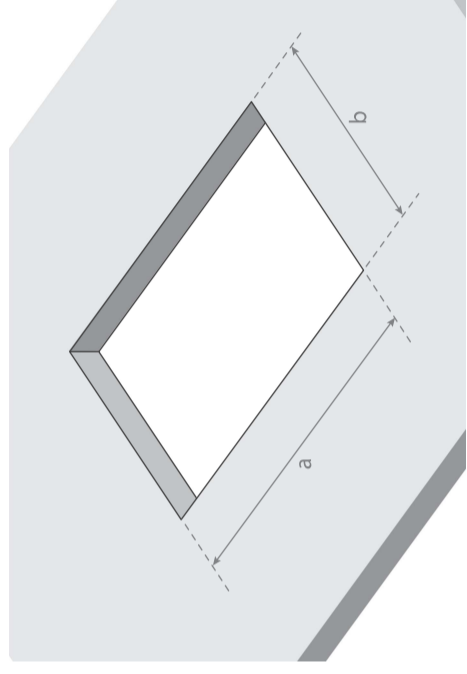


Hinged cover with brush built-in the table top / desk. It ensures permanent access to the cable channel.

Due to its modern and simple design, not only **magnet-subdesk** makes the work environment more comfortable, but also improves aesthetic of the desk.

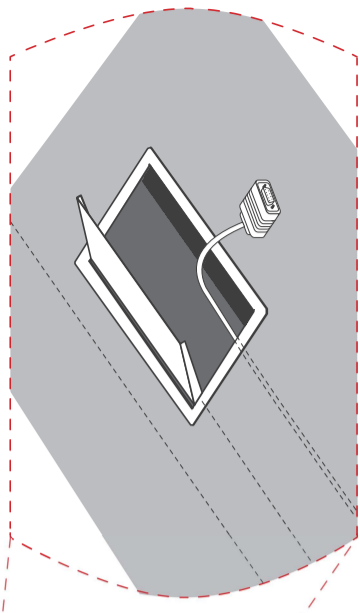
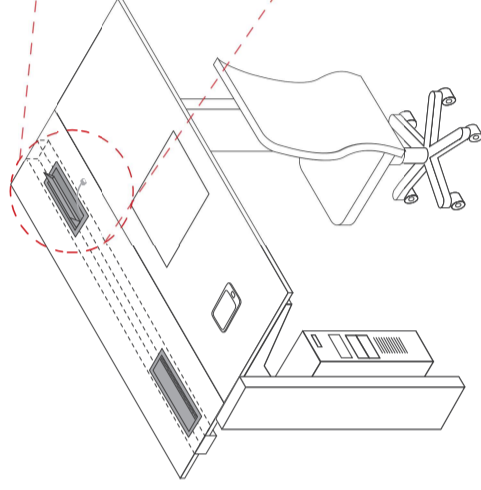
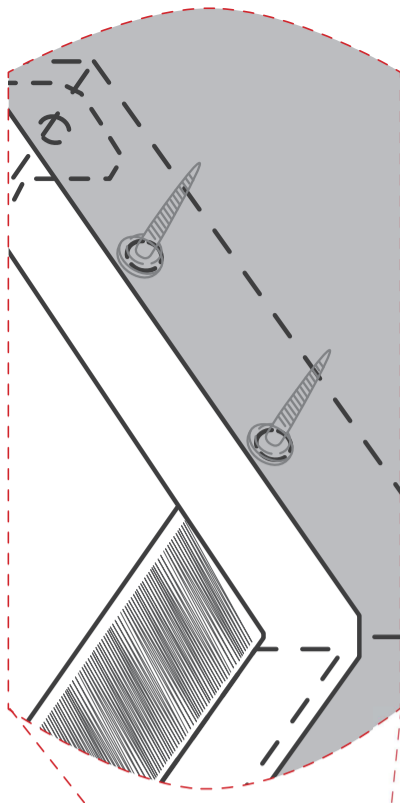
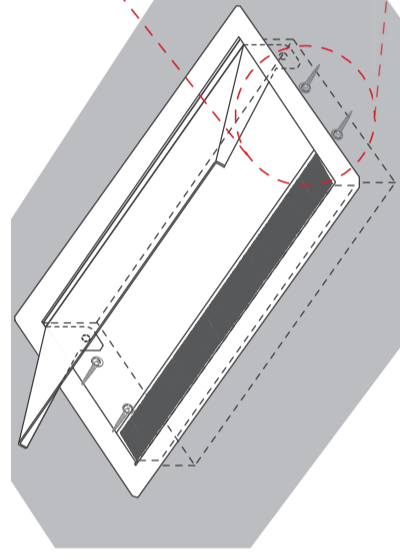
It's available in two versions: 4M and 6M.



	Mounting hole dimensions		Chassis dimensions	
	length x width [a x b]	length x width [c x d]	depth	
4M	240 mm x 135 mm	259 mm x 149 mm	28 mm	
6M	326 mm x 135 mm	349 mm x 153 mm	28 mm	

* +1mm / -0mm tolerance for all dimensions

Assembling of the housing using 4 wood screws.



WHITE (RAL9003)



BLACK (RAL9005)



GREY (RAL9006)



STAINLESS STEEL (INOX)



CHROMED-PLATED STEEL (CHROME)