

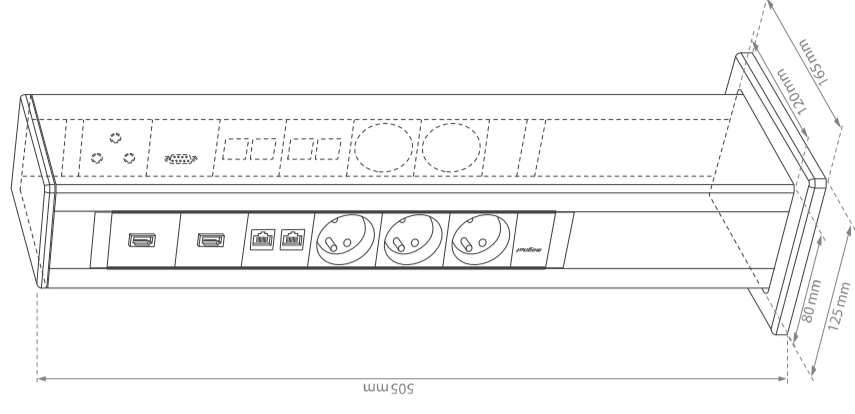
Very functional and aesthetic mini column which is a termination of electrical and multimedia underfloor wiring.

Made of high quality materials, it ensures easy and safe access to sockets and harmoniously blends into the background.

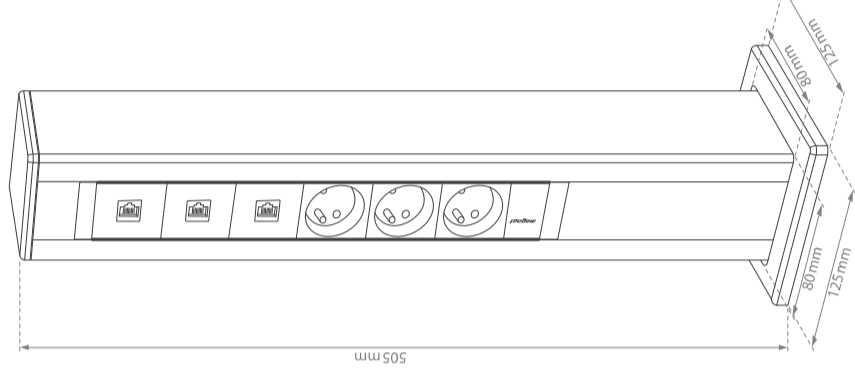
magnet-Tower is available in two versions: single and double-sided.



Double-sided version



Single-sided version

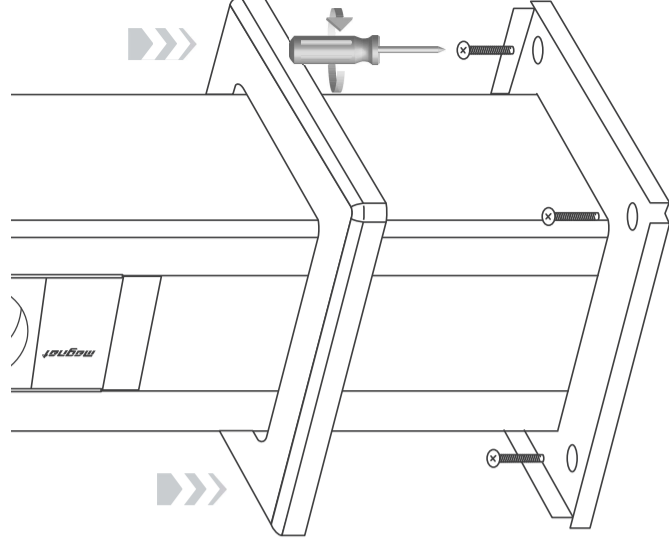


Mounting hole dimensions:

version	a x b
single-sided	72 mm x 98 mm
double-sided	72 mm x 138 mm

* In case of configurations with two circuits or with UK power sockets number of available modules is lower.

Assembly to the floor using 4 screws. Apply the cover on column base.



BLACK (RAL9005)



CHROMED-PLATED STEEL (CHROME)